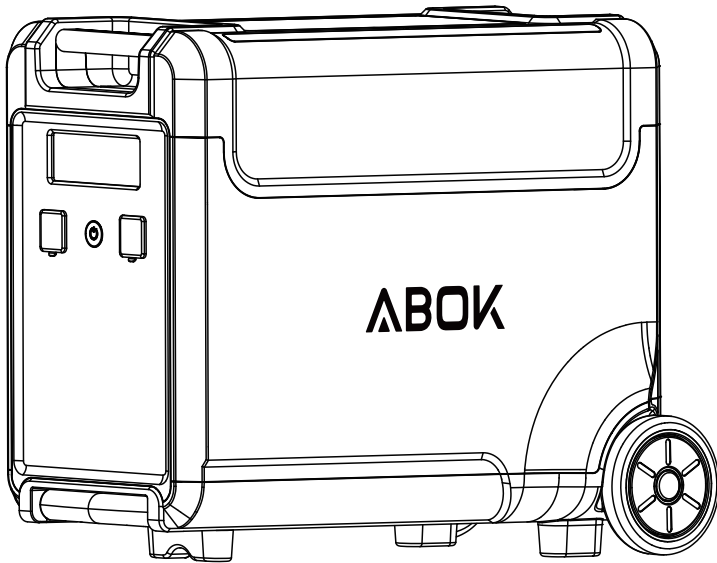


# Extra Battery Pack

## User Manual



Hi dear, thank you very much for purchasing and experiencing our AE3840 smart power pack. This product needs to be used with 3600W. Before using this product, please read the instructions carefully for proper operation.

According to the transportation requirements of the international customs for battery products, the battery level of this product is only less than 30% when it leaves the factory. Please fully charge the product after unpacking it to start the experience tour of our AE3840.



## Precautions For Use

1. Please avoid long-term storage and use of this product in environments with high temperature and humidity or direct sunlight to avoid shortened battery life and other failures. The product should not be close to the fire source, otherwise it may cause a major fire or accident.
2. This product must not be disassembled or modified. Improper operation may cause product malfunction or even fire.
3. Be careful not to drop the product.
4. Please store or use this product out of the reach of children, otherwise the product may be dropped or collided and may cause bodily injury to children.
5. Please use our original accessories, and we will not guarantee the defective products caused by the use of non-original accessories.
6. Please directly plug in the wall socket to charge the product, do not use extension cords or cable taps, otherwise there is a risk of damage to the extension cords and cable taps or even a fire; If the extension socket is plugged in to charge this product, please do not connect other electrical appliances to this socket, otherwise the household meter may trip.
7. When the product is not in use or idle, please turn it off and unplug the power cable. If it needs to be idle for a long time, please consume the product from a fully charged state to an uncharged state, then recharge it to about 50% of the battery level and store it. In order to prolong the life of the product, please take three months as a cycle, operate and keep it in this way.
8. If the product reaches scrap conditions, please discard or recycle the product in accordance with local laws.

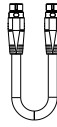
# Contents

■ Packing List .....	01
■ Product Introduction .....	01
■ Button Function Introduction .....	02
■ Introduction of Display Interface .....	03
■ Troubleshooting Sheet.....	04
■ Battery Pack Connection Instructions .....	05
■ Connection of Solar Panels .....	06
■ Car/Vehicle Charging .....	07
■ Product Specifications .....	08
■ Battery Specifications .....	08
■ Warranty Card .....	09
■ Disclaimer .....	10

# Packing List



Extra Battery Pack



Parallel Cable  
(Power Connection Cable)



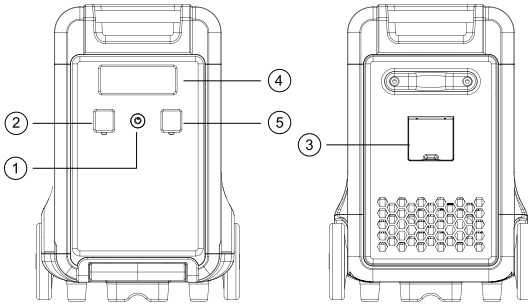
User Manual

# Product Introduction

This product is a portable power pack with charge/discharge function. It is mainly used for parallel expansion of 3600W energy storage power supply. It includes USB DC output, XT60 solar charging input, and parallel input-output.

- Equipped with LiFePO<sub>4</sub> battery, the battery capacity is as high as 3840Wh, and the safety level is extremely high.
- It can be parallel with 3600W energy storage power supply to increase the capacity of 3600W.
- USB-A and Type-C PD output interfaces can also be used separately in non-parallel state.
- With PV charging function, it can also be charged in non-parallel state. Multiple protection mechanisms such as battery, circuit, structure, etc., guarantee the product safety.

# Button Function Introduction



- ① Power ON/OFF Button(long Press)  
USB ON/OFF Button(short Press)
- ② XT60 Input
- ③ Parallel input and output
- ④ LCD Screen
- ⑤ USB Output

## ① Power ON/OFF Button

Instructions: Press and hold the power button for 3S to turn on/off the bwhole system.

## ② XT60 Input

This interface supports solar panel input or car charger input. For details, please refer to “Solar Panel Connection” on page 6 of this manual and “Car/Vehicle Charging” on page 7.

## ③ Parallel input and output



The expansion is achieved by connecting the parallel cable to the host. This interface can achieve a maximum of 4000W input and output. The picture for paralleling is attached.

## ④ LCD Screen

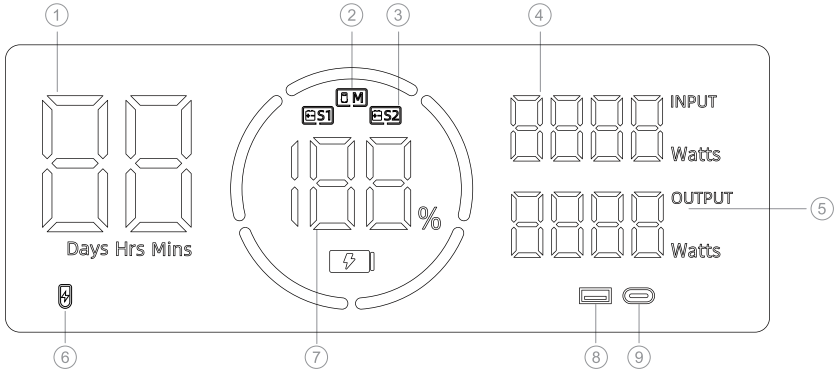
Display the product's battery level and usage status tips.

## ⑤ USB Output

### USB Output Ports

 USB-A×1	 TYPE-C×1
QC 3.0	PD 100W

# Introduction of Display Interface



- ① Remain Using/Recharging Time
- ② Host Logo
- ③ Parallel Operation Logo
- ④ Input Power in Total
- ⑤ Output Power in Total
- ⑥ XT60 Input
- ⑦ Battery Level Percentage
- ⑧ USB Output
- ⑨ PD Output




## Screen Display Description

**Power display:** When the product is in the charging state, the battery progress bar rotates continuously in the form of a clockwise marquee, and the battery level percentage gradually increases; when the product battery level is 0, the battery level percentage icon flashes.

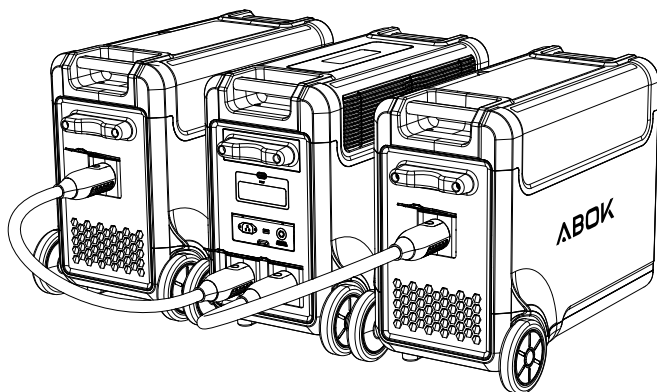
**Input and output status:** When the product is working, the total input power, total output power and the cursor corresponding to the working area will be displayed on the screen.

**Alarm prompt:** See the following troubleshooting table for details.

# Troubleshooting Sheet

Phenomenon	Cause	Processing method
 <p>The above output icon flashes and beeps.</p>	<p>The output exceeds the standard and it's short-circuited.</p>	<p>Remove the load, and then short press the switch in the area corresponding to the icon to remove the alarm.</p>
 <p>The temperature warning icon flashes and beeps.</p>	<p>The temperature of the product is too high or too low.</p>	<p>Take the product out of the charging state, remove all loads, turn the power off, wait for the device to reach a suitable working temperature, then the alarm is removed.</p>
 <p>The parallel light blinks.</p>	<p>Parallel failure.</p>	<p>Charge the product with lower battery capacity, or discharge the product with higher battery capacity (until the power difference of these two products is less than 80%), and then reconnect them.</p>

# Battery Pack Connection Instructions



The portable power station can be connected to up to two battery packs through parallel cables, with a maximum capacity of up to 11520Wh. Please connect the product when the portable power station and extra battery pack are turned off. After the connection is completed, there will be icons of S1 and S2 connection displays on the screen. After connecting them successfully, the system can start charging or discharging. When charging and discharging after connection, the power will be distributed according to the left power of the product.

The charging power of the device with lower capacity is small when charging, and the output power of the device with higher capacity is high when discharging. If there is no external charging, energy exchange may occur between the portable power station and battery packs. When the left capacity of them is close, the charging process will stop, and the power will be show on the screen.

## Precautions

- Please do not plug and unplug the connecting cable when the products is under use, please connect or disconnect these two products when they are turned off.
- Please do not make the connecting ports of the portable power station short-circuited.

# Connection of Solar Panels

Under the condition of light, this product can be connected to the solar panel and getting charged. The charging power is determined according to the conditions of light and weather.

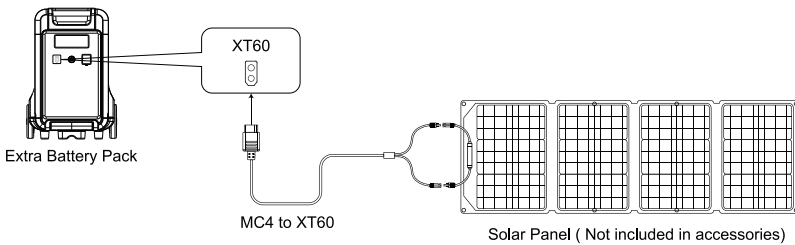
In this charging mode, we support solar panel input within 2000W, and the input voltage cannot exceed 160V, otherwise the product abnormality caused by it will not be covered by the warranty.

We recommend the following two charging schemes:

## • Solar panel charging

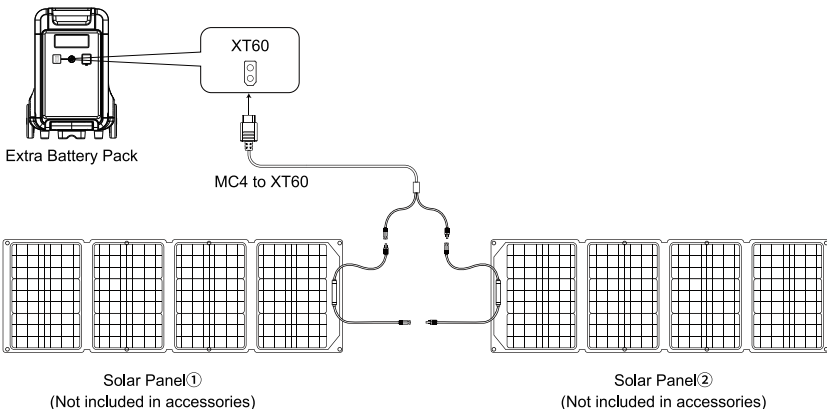
### Scheme One

Portable Power Station Charging Area



### Scheme Two

Portable Power Station Charging Area

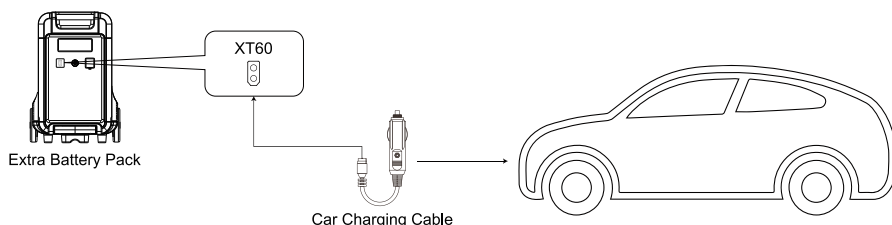


# Car/Vehicle Charging

When the car is in the process of starting, connect the car charging port on the car and the product through the car charging cable to charge the product. The connection method is shown in the picture below:

This product supports 12V/24V car charger charging, please pay attention to the following two points when using this method to charge:

- ※ Please do it when the car started, otherwise the car battery may be exhausted.
- ※ Vehicle charging power is usually in the range of 90W-120W, and the charging time is long.  
If fast charging is required, the AC mains charging is recommended.



# Product Specifications

Product Name	Battery Pack
Dimension	L*W*H=550X321X464mm
Weight	36.5kg
Battery Capacity	3840Wh
XT60 Input	11.5-55Vdc 200W MAX
USB-A	QC3.0 18W MAX
Type-C Output	PD3.0 100W Unidirectional
Shutdown Current	< 500 $\mu$ A
Working Temperature	-10°C - 40°C
Parallel Capacity	11520Wh MAX
Environment Humidity	$\leq$ 90%RH
Cycle Times	> 4000 times

# Battery Specifications

Cell type	LiFePO <sub>4</sub>
Rated voltage of single battery	3.2Vdc
Rated capacity of single battery	20Ah
Rated voltage of battery pack	48Vdc
Output voltage range of the battery pack	41.25-54.75Vdc
Rated capacity of battery pack	3840Wh

# Warranty Card

Warranty Card	
Name	
Address	
Model	
Serial Number	
Shopping Platform	
Tel	
E-mail	
Brand, Order Number	
Purchase Date	
Filling Date	
What Is The Product Failure	
Please Fill In All The Above Items.	

This product comes with a 2-year warranty upon purchase, and an additional 3-year warranty is also available.

- If there is a quality problem within the range of normal use, we provide warranty service.
- After purchasing our company's products, please keep this product together with invoices and other items. When maintenance services are needed, please provide information according to our company's request.
- In the case where the warranty is damaged or altered, and there is no stamp of the sales store on the warranty, the warranty service may not be provided.
- Damage caused by use beyond the normal range of use is not covered by the warranty service.
- The content of the warranty scope shall be subject to the content recognized by the company.
- Even within the scope of the warranty, defective products will sometimes be exchanged for products with the same function. The shipping and repair fees for products outside the warranty range shall be paid by the customer.
- Sometimes the specifications and functions of the product will be updated without prior notice.

# Disclaimer

Before use, please read the user manual of this product to ensure full understanding and correct use. After reading, keep the user manual properly for future reference. If you do not operate this product correctly, you could cause serious injury to yourself or others, or result in damage to the product and property. Once you use this product, you are deemed to have understood, recognized and accepted all terms and content of this document. Users undertake to be responsible for their own actions and all consequences arising therefrom. We are not responsible for all losses caused by the user's failure to use the product in accordance with the User Manual.

In compliance with the law, the company has the final right to interpret this document and all related documents of the product. If it is updated, revised or terminated without prior notice, please visit our official website for the latest product information.